

Overview (T-shape = standard)

open **closed**

a - platform
b - side/door
c - canopy
d - adj. leg
e - gasspring
f - U-profile
g - canopy catch

Weight/tare: ap. 1100-2000Kg
electricity:
indoors: via Schuko connector in floor flap, 230 V, 16 A
main connector/remote control for lifting devices:
see this **symbol** on horizontal steel section, pull from underside of frame, connector rests in alu box

indoors optional

symbol

! see manual for warnings!

dimensions

modulbox open

front **left**

modulbox closed

front **left**

top

top

TRANSPORT & LOADING (if equipped with lifting devices)

-
-
-
-

modulbox needs exact position on trailer!

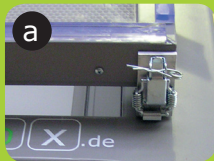
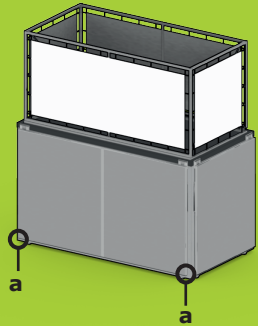
! see manual for loading instructions!

variations

HANDLING

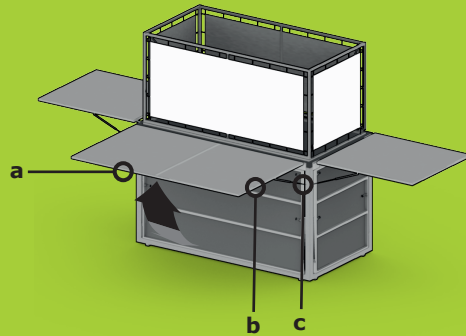
opening modulbox[®] MAX

1 MODULBOX closed



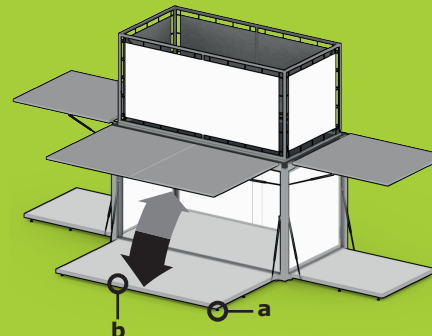
a - opening / closing the canopy catches

2 CANOPIES opening / closing



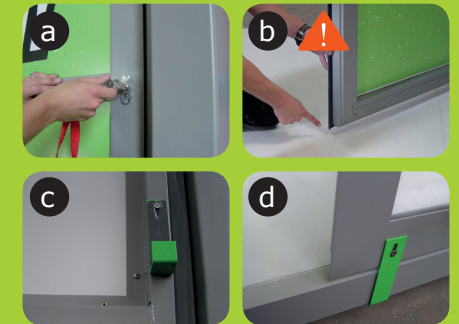
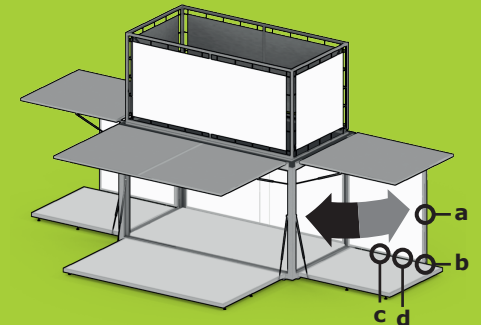
a - opening / closing the canopy
b - canopy fixing (using the U-profile)
c - fixing the U-profile with locking pin

3 PLATFORMS opening / closing



a1 - opening locking pin
a2 - swing out/in adjustable leg
b - opening / closing platform

4 DOORS opening / closing



a - opening / closing door
b - watch for enough clearance
c - unscrew door lock angle
d - door lock angle fixing/unfixing

closing modulbox[®] MAX



see manual for warnings!