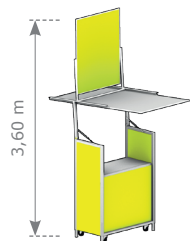
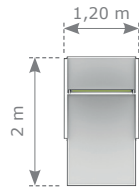
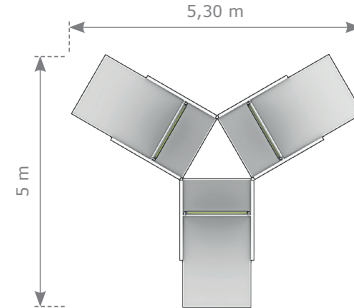


Setup-Varianten *setup variations*

Standard Setup
standard setup



Dreier Setup: Kreis
three setup: circle



Dreier Setup: Reihe
three setup: line

