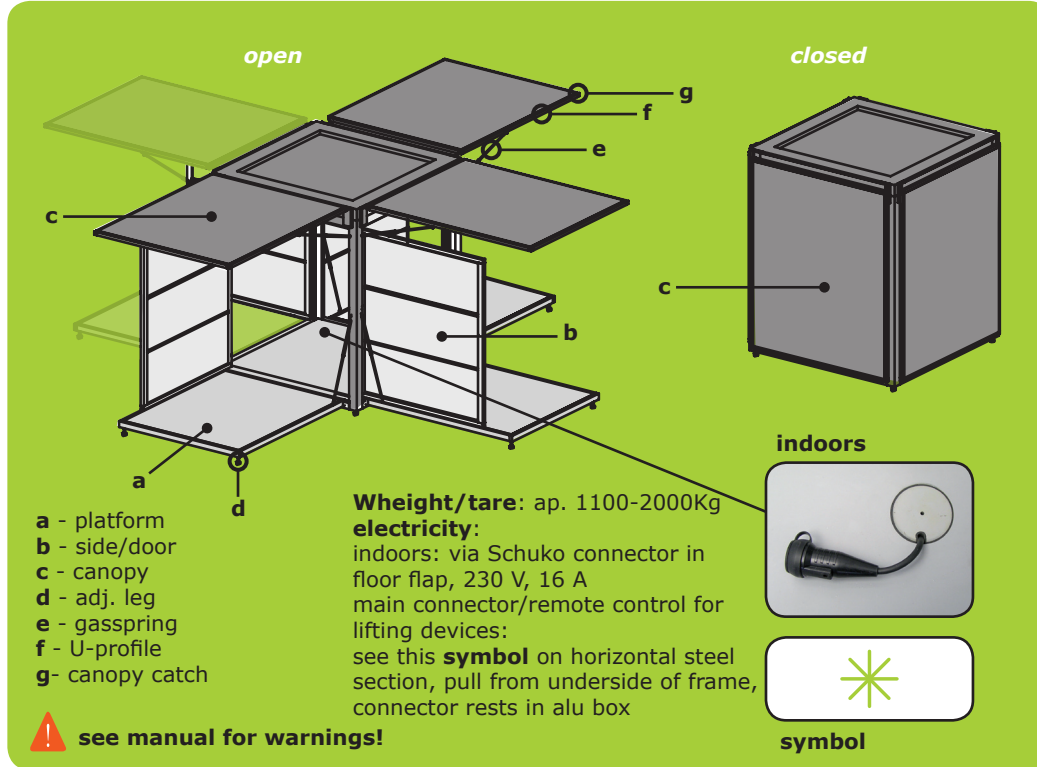
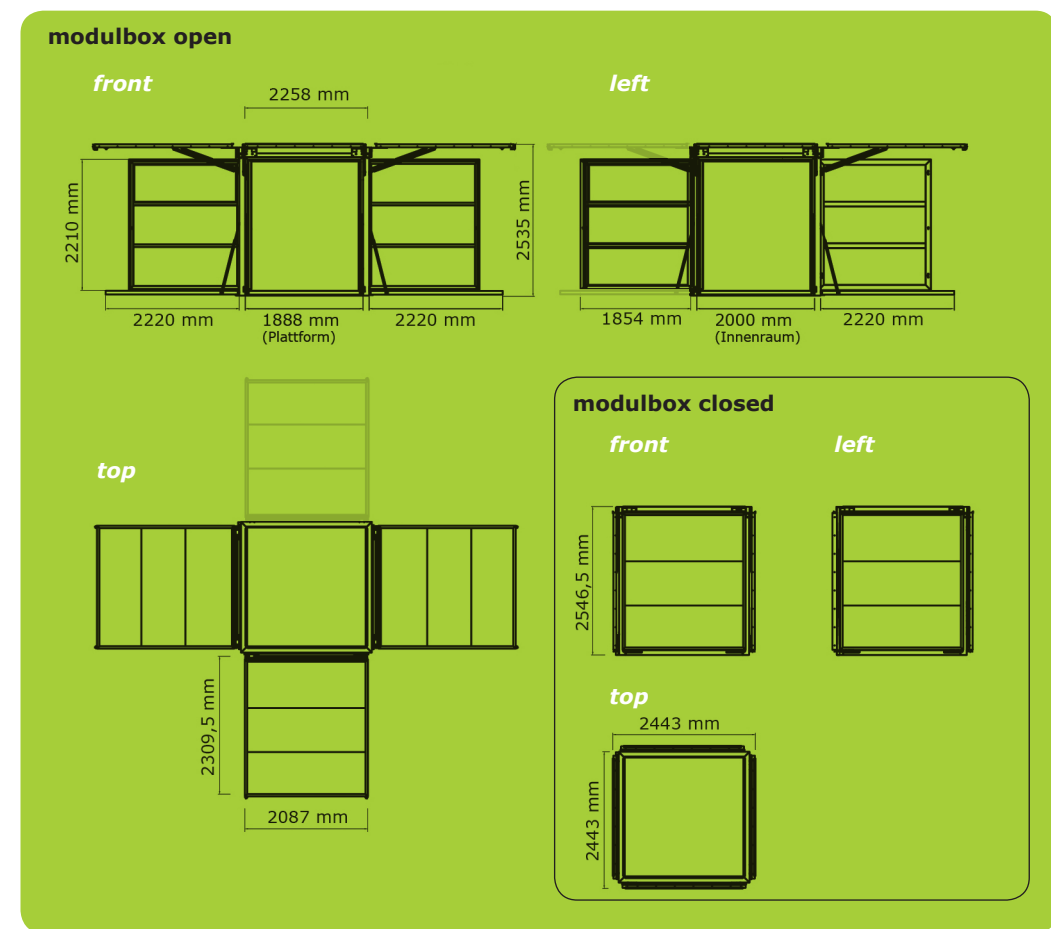


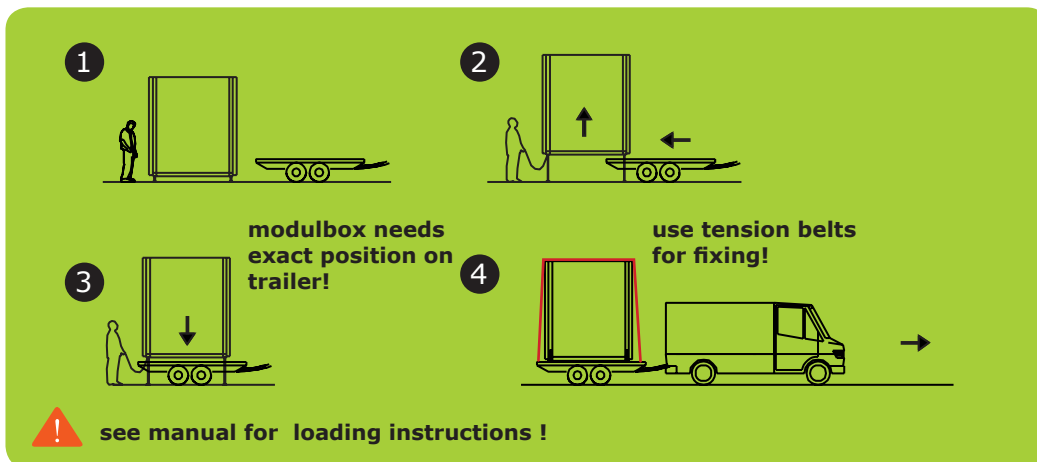
Overview (T-shape = standard)



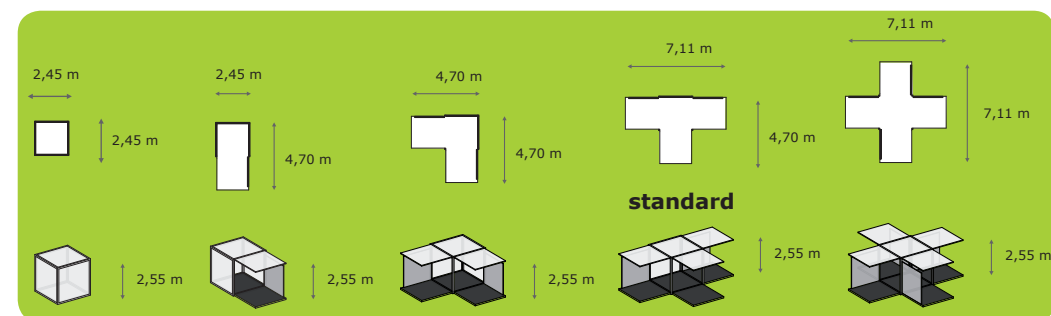
dimensions



TRANSPORT & LOADING (if equipped with lifting devices)



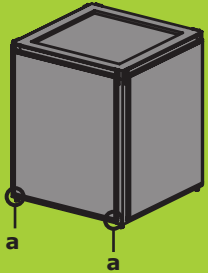
variations



HANDLING

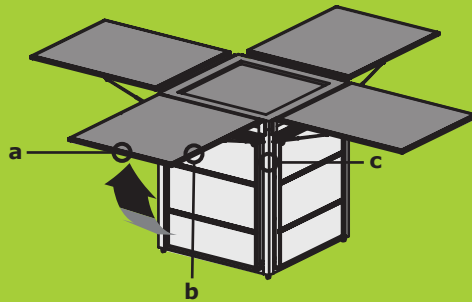
opening modulibox[®]

1 MODULBOX closed



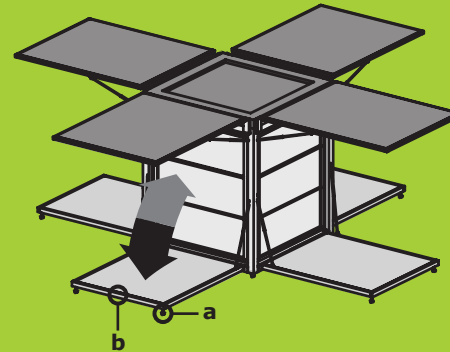
a - opening / closing the canopy catches

2 CANOPIES opening / closing



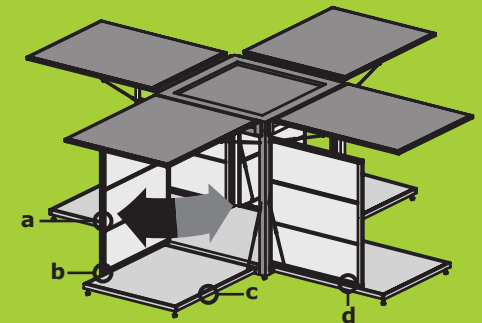
a - opening / closing the canopy
b - canopy fixing (using the U-profile)
c - fixing the U-profile with locking pin

3 PLATFORMS opening / closing



a1 - opening locking pin
a2 - swing out/in adjustable leg
b - opening / closing platform

4 DOORS opening / closing



a - opening / closing door
b - watch for enough clearance
c - unscrew door lock angle
d - door lock angle fixing/unfixing

← closing modulibox[®]



see manual for warnings!